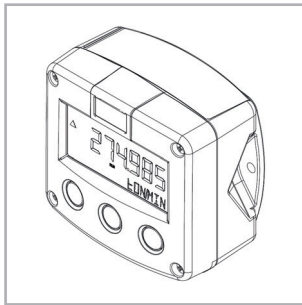


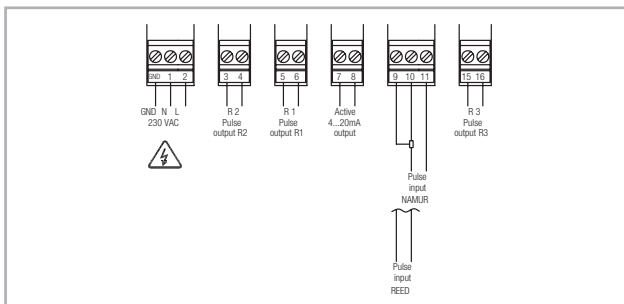


F113, F116 and F131

Universal converters with display



TOTAL
▲ 1742638 m³
RATE 18539 L/MIN



The universal converters are used as flow indicators and for batching control of miscellaneous liquids: water, industrial liquids, fuel etc.. These converters are designed for industrial environments. Four versions are available: flow totaliser F113, differential flow measurement F116 and batching control F131 (non explosive environment) and F131 Exi (explosive environment).

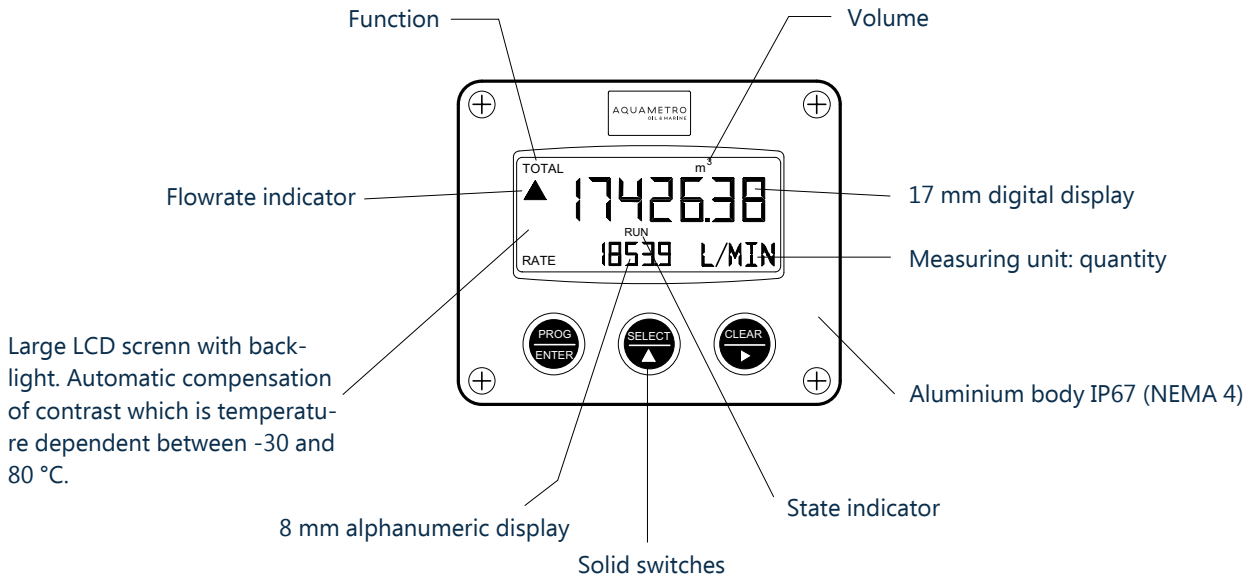
Features

- Large LCD screen with LED back-light
- Easy electrical connection
- Relay and analogue outputs
- Simplified programming
- Data stored in EEPROM
- Aluminium body painted IP67 (NEMA4)

Benefitis

- User friendly
- Flexibility for different needs
- Compact design
- Many possibilities for installation
- Convenient for all our flowmeter range
- Solid, resistant and long term robustness

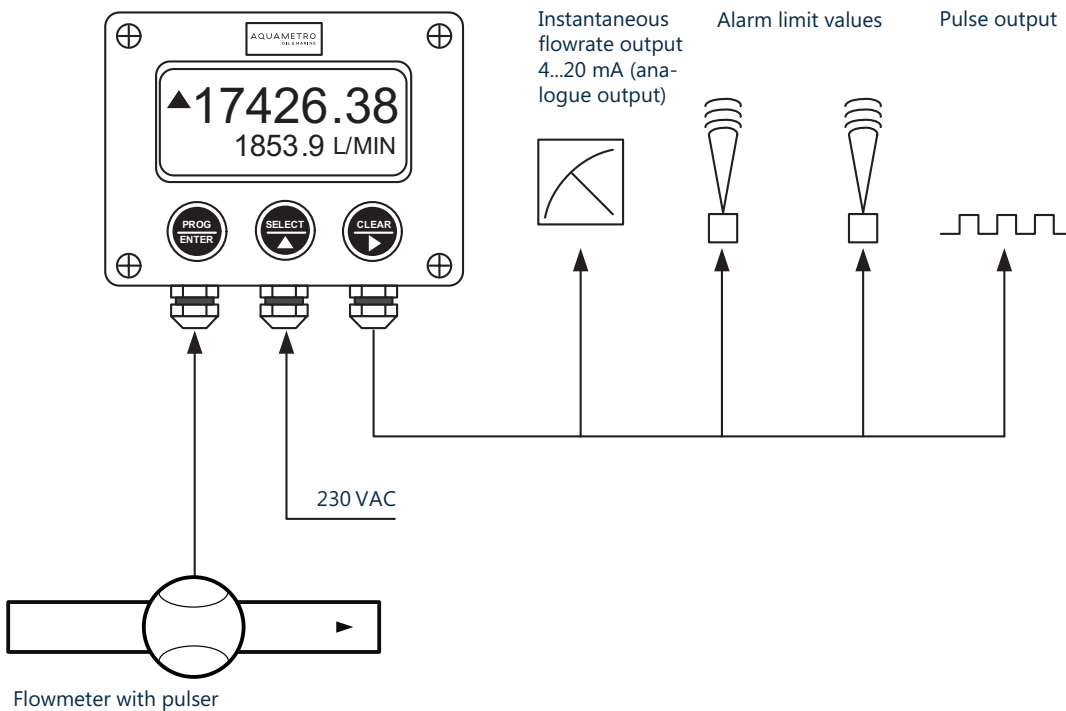
Display



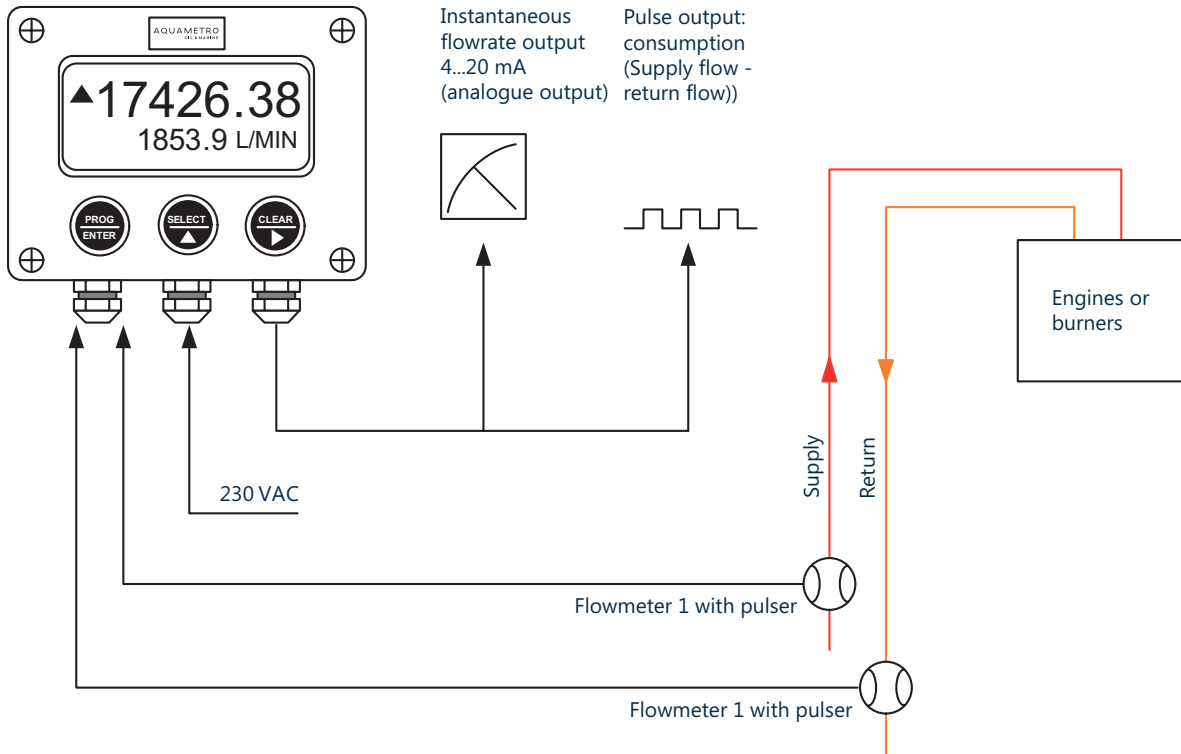
Uses

A device adapted according to needs.

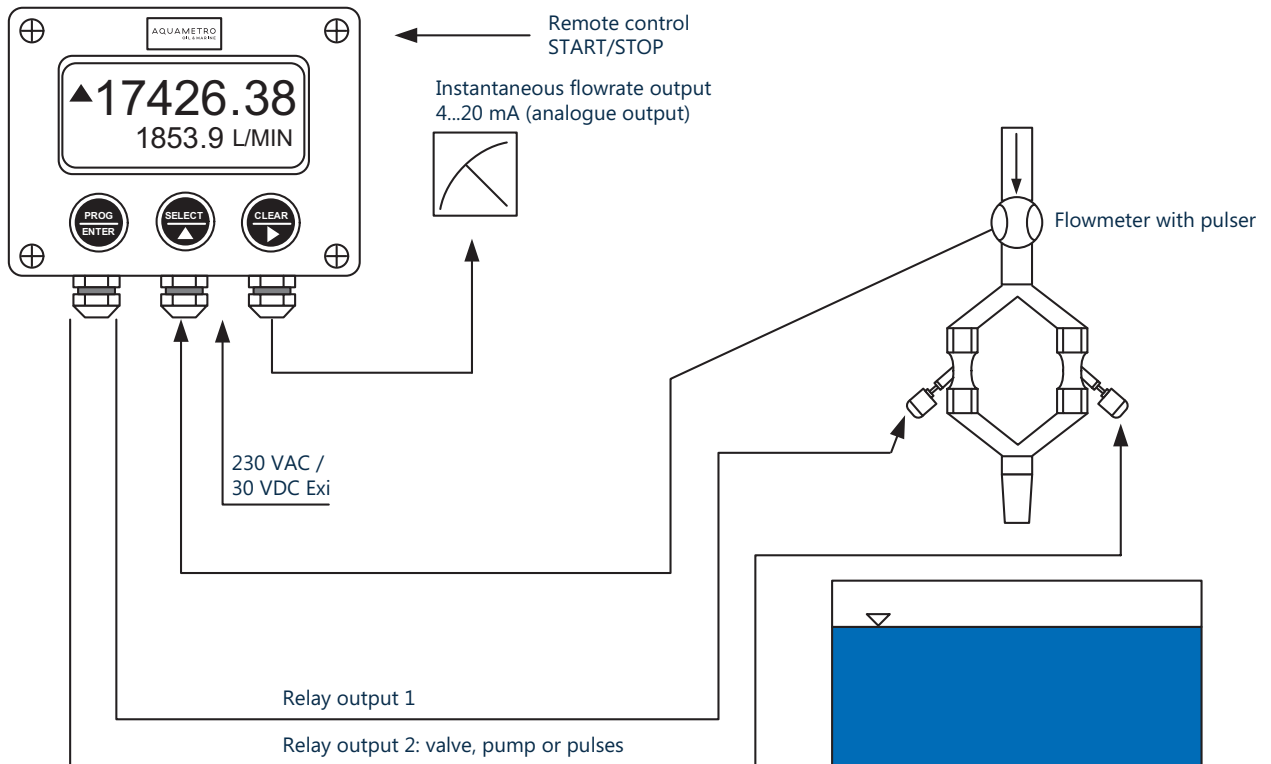
Flow totalizer F113



Differential flow calculator F116



Batching controller F131/F131Exi

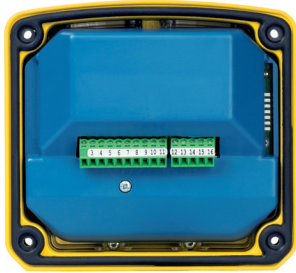


Common functions

Version				
Batching control in explosive environments				F131Exi
Batching control in non explosive environments			F131	
Differential flow calculator		F116		
Flow Totalizer	F113			
Order No.	92439	92440	92441	92442
Totalizer				
- Total without reset	■	■	■	■
- Subtotal with reset	■	■	■	■
Flowrate indicator				
- Flow	■	–	■	■
- Supply flow	–	■	–	–
- Return flow	–	■	–	–
- Flow difference (consumption)	–	■	–	–
Outputs				
- Relay pulses; 2 relays, max . 240 VAC / 0,5 A, max. 5 Hz	■	–	■	–
- Active transistor pulses; 24 VDC / max. 20 mA, max. 60 Hz	■	■	–	–
- Passive transistor pulses; max. 50 VDC / 300 mA, max. 60 Hz	–	–	–	■
- Differential flow (active transistor)	–	■	–	–
- Limit switch max. / min. flowrates	■	–	–	–
- Active analogue signal; 4...20 mA, 24 VDC, max. load 1000 Ohm	■	■	–	–
- Passive analogue signal; 4...20 mA, max. 30 VDC	–	–	■	■
Measuring units				
- Volume ml, l, m ³ , USG	■	■	■	■
- Time per second, minute, hour or day	■	■	■	■
Installation				
- Wall mounted	■	■	■	■
- Front panel	■	■	■	■
Power supply				
- 230/115 VAC 50/60 Hz	■	■	■	–
- 10...28 V AC/DC Exi	–	–	–	■
- Backlight display	■	■	■	–
- Connector block for max.1.5 mm ² wires	■	■	■	■
Body				
- Aluminium IP 67 / NEMA 4	■	■	■	■
Input				
- Pulsar (Reed, NAMUR, open collector transistor, relay)	■	■	■	■
Ambient temperature				
- -30... 80 °C	■	■	■	–
- -30... 70 °C	–	–	–	■
Security				
- Saving data in EEPROM	■	■	■	■
- EMC acc. to EN 50081 and EN 50082	■	■	■	■
- Certified for Ex EEx ia IIB T4	–	–	–	■

Installation possibilities

Front panel mounting



Wall or mounting on DIN rail (option)

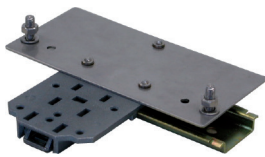


Compact mounting on a DOMINO flowmeter

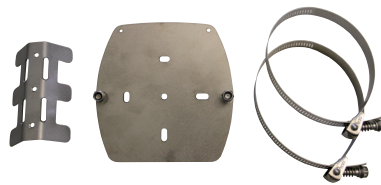


Mounting accessories (option)

Mounting kit for wall or DIN rail (MS-WDS)



Pipe mounting kit (MS-RPW)



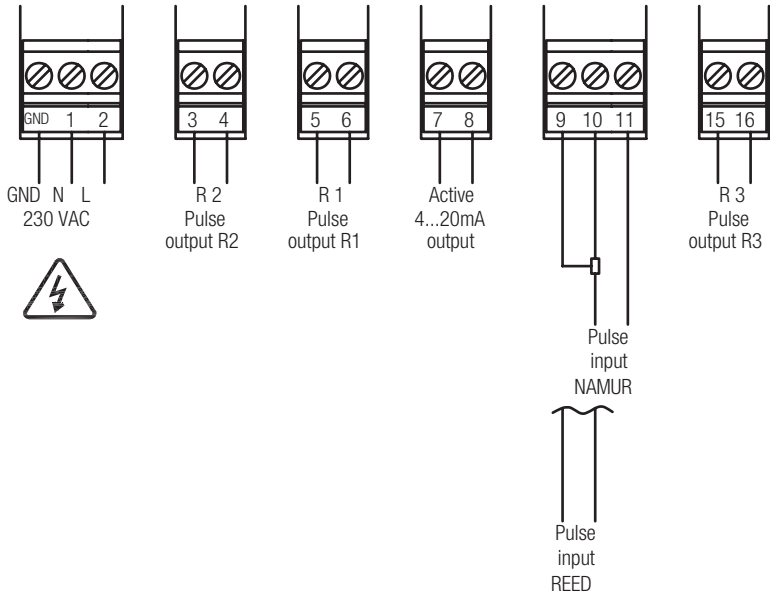
Compact mounting on a flowmeter (KS-KP)



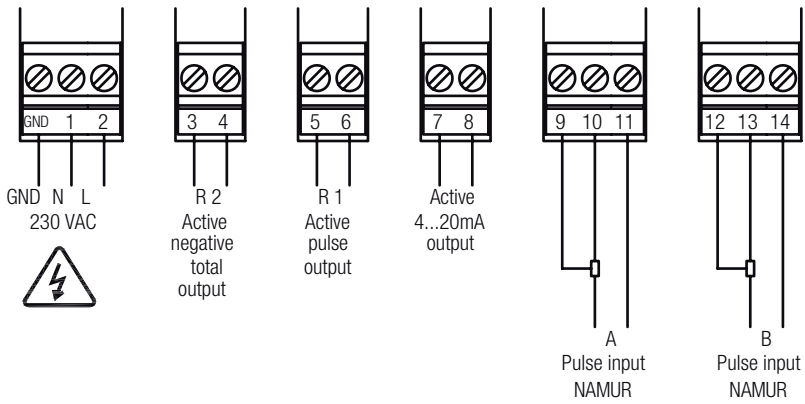
Accessories	Type	Art. No.
Mounting kit for wall or DIN 35 mm rail	MS-WDS	80082
Compact mounting on a DOMINO or CONTOIL® flowmeter	MS-KP	80083
Pipe Mounting kit (stainless steel) DN 50 - 176 mm	MS-RPW	80325

Electrical connections

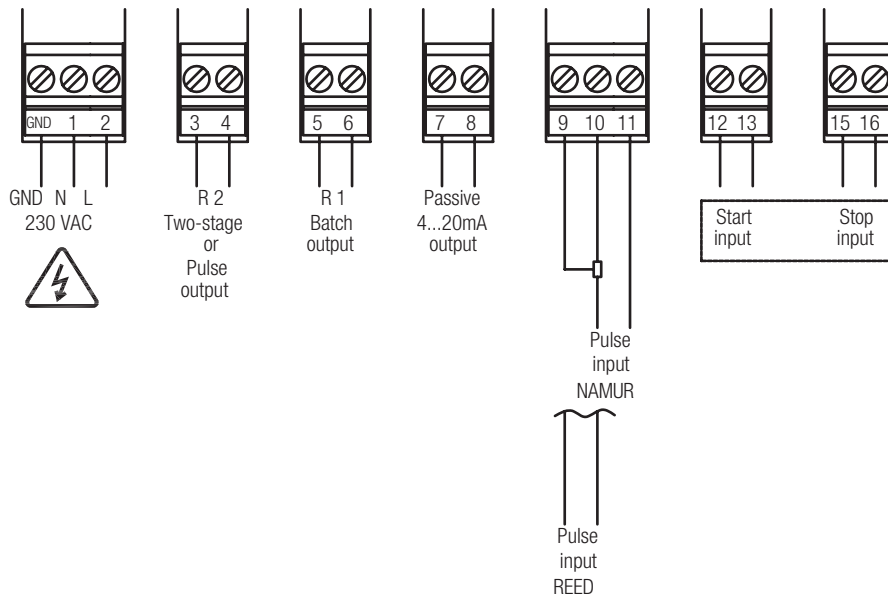
F113



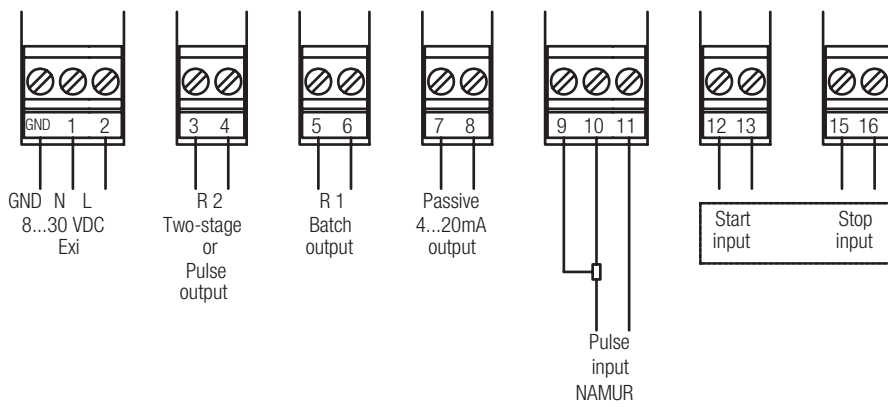
F116



F131

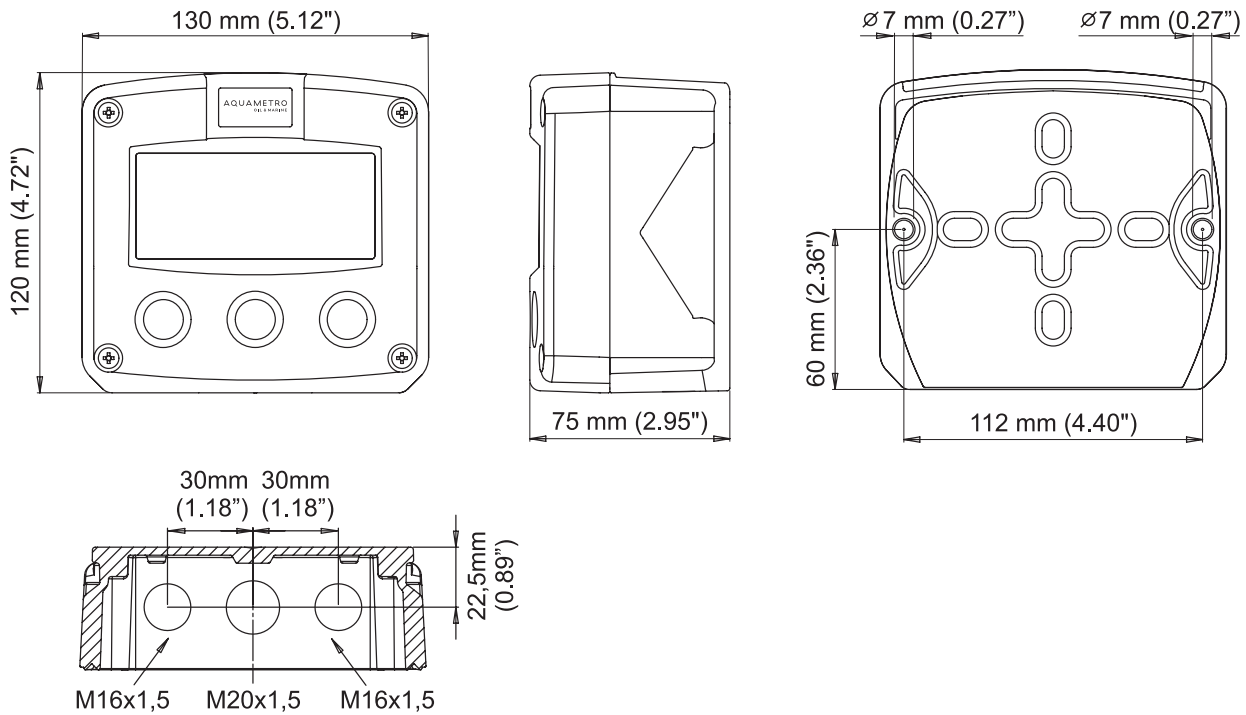


F131 Exi

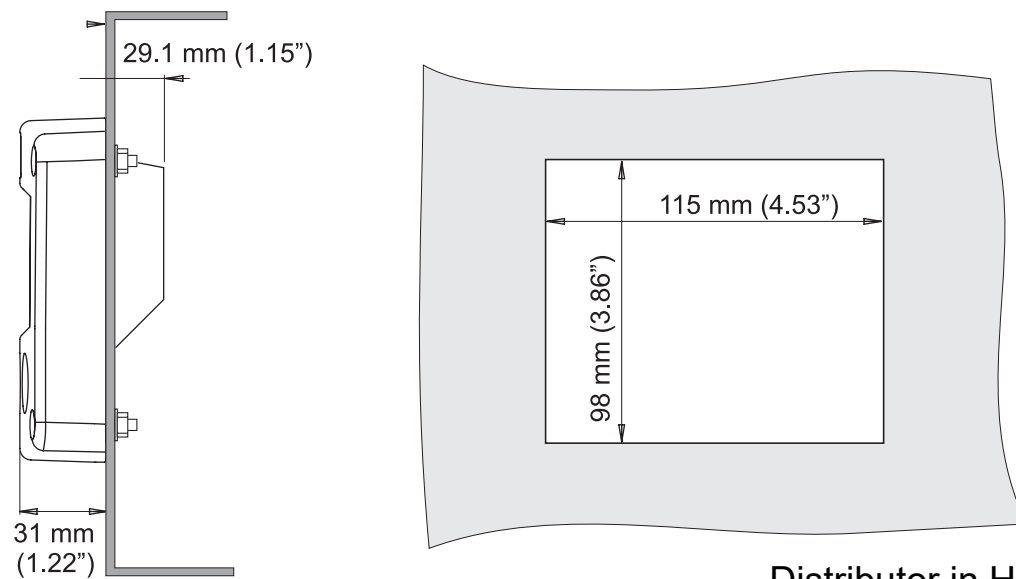


Overall dimensions

Wall mounting



Front panel mounting



Distributor in Hong Kong:

Charles Marine Ltd

Phone: 2463 6261
 Email: info@cmar.hk
 URL: www.cmar.hk

SWITZERLAND:	Aquametro Oil & Marine AG, Therwil	info@aquametro-oil-marine.com	www.aquametro-oil-marine.com
CHINA:	Aquametro Oil & Marine (CHINA) PTE. LTD., Singapore	info@aquametro-oil-marine.cn	www.aquametro-oil-marine.cn
GERMANY:	Aquametro Oil & Marine GmbH, Rostock	info@aquametro-oil-marine.de	www.aquametro-oil-marine.de
INDIA:	Aquametro Oil & Marine Rep. Office, Mumbai	info@aquametro-oil-marine.in	www.aquametro-oil-marine.in
JAPAN:	Aquametro Oil & Marine Rep. Office, Tokyo	info@aquametro-oil-marine.jp	www.aquametro-oil-marine.jp
KOREA:	Aquametro Oil & Marine Korea LTD., Busan	info@aquametro-oil-marine.kr	www.aquametro-oil-marine.kr
SINGAPORE:	Aquametro Oil & Marine (S.E.A.) PTE. LTD., Singapore	info@aquametro-oil-marine.sg	www.aquametro-oil-marine.sg
UAE:	Aquametro ME JLT, Dubai / UAE	info@aquametro-oil-marine.ae	www.aquametro-oil-marine.ae